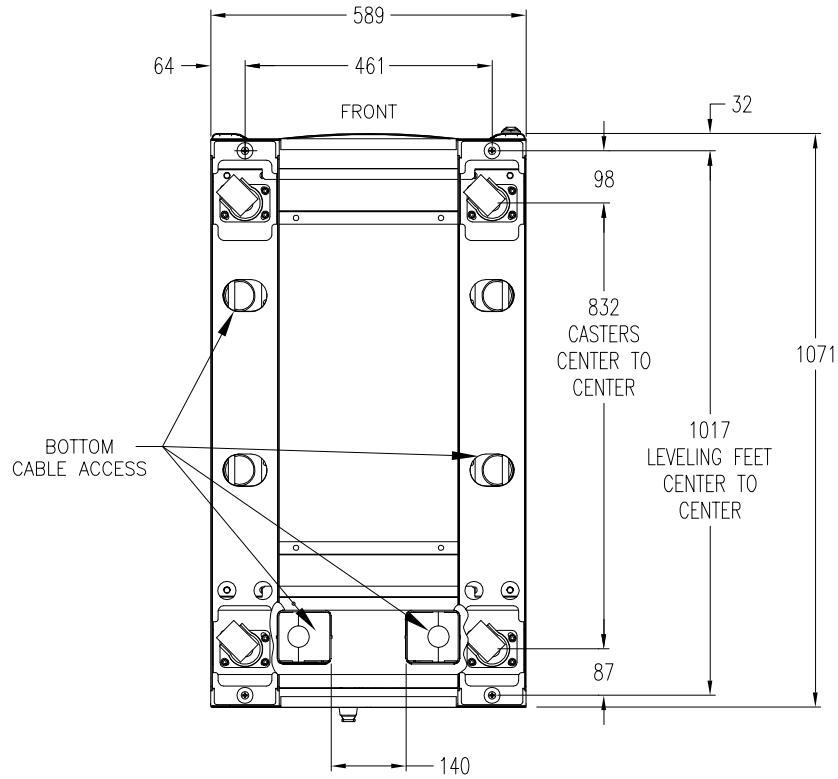


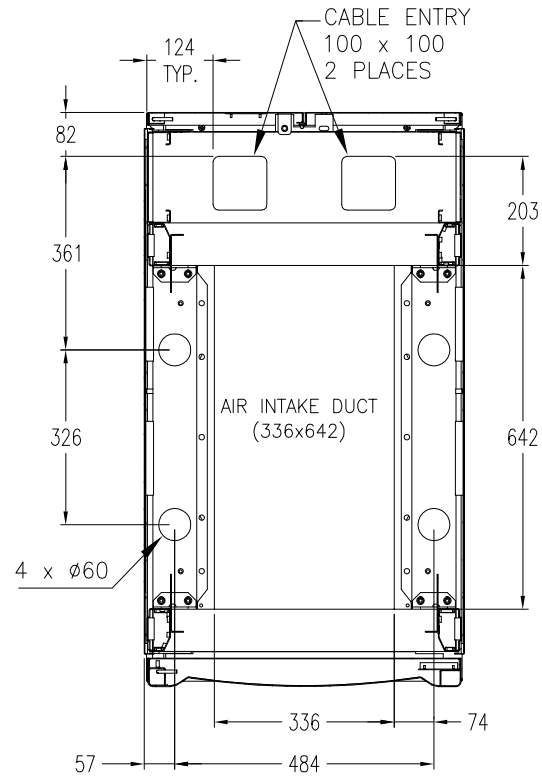
FOR SECTION "B-B" REFER SHEET 02 OF 02

- NOTES:**
- ALL DIMENSIONS ARE IN MILLIMETERS.
 - CABLE ENTRY IS TOP AND BOTTOM OF UNIT.
 - FRONT AND REAR SERVICE ACCESS.
 - NET WEIGHT OF UNIT IS 163 Kg.
 - MAIN VX NETSHELTER IS SHIPPED WITH BOTH SIDE PANELS. ONE OF SIDE PANELS MAY BE EASILY REINSTALLED ON VX EXPANSION UNIT IF NEEDED.
 - CABLE PARTITIONS AND CABLE TROUGH ARE NOT PART OF THE SKU.
 - REFER DRAWING NSH-TIL FOR TYPICAL EXAMPLE OF INTERNAL NETSHELTER LAYOUT.
 - INSTALLATION MUST COMPLY WITH ALL APPLICABLE NATIONAL AND LOCAL CODES.

<p>THIS DRAWING AND SPECIFICATIONS HEREIN ARE THE PROPERTY OF AMERICAN POWER CONVERSION AND SHALL NOT BE COPIED, REPRODUCED OR USED IN WHOLE OR IN PART AS THE BASIS FOR THE MANUFACTURE OR SALE OF ITEMS WITHOUT WRITTEN PERMISSION FROM APC.</p> <p>THIS DRAWING IS BASED UPON LATEST AVAILABLE INFORMATION AND IS SUBJECT TO CHANGE WITHOUT NOTICE.</p>		<p>APC[®]</p> <p>AMERICAN POWER CONVERSION 2-30-4 Nishi-Cotanda Shinagawa-ku, Tokyo</p>		<p>PROJECT</p> <p>SUBMITTAL DRAWING</p>		<p>TITLE</p> <p>NETSHELTER VX 42U ENCLOSURE 600mm W x 1070 mm D BASE UNIT MAIN MECHANICAL</p>	
<p>DRAWN</p> <p>BALAMURUGAN</p>	<p>CHECKED</p> <p>J.MATTLIN</p>	<p>ENGINEER</p> <p>N.SASHIDAJI.SUN</p>	<p>SCALE</p> <p>3/4"=1"</p>	<p>DWG NO</p> <p>AR2100BLK-MM</p>	<p>Sheet No.</p> <p>1 / 2</p>	<p>REV.</p> <p>—</p>	<p>DATE</p> <p>07/12/04</p>



BOTTOM VIEW (ENLARGED)



SECTION B-B (ENLARGED)
(VIEW FROM INSIDE CABINET, LOOKING DOWN)

NOTES:

1. ALL DIMENSIONS ARE IN MILLIMETERS.
2. INSTALLATION MUST COMPLY WITH ALL APPLICABLE NATIONAL AND LOCAL STANDARDS.

THIS DRAWING AND SPECIFICATIONS HEREIN ARE THE PROPERTY OF AMERICAN POWER CONVERSION AND SHALL NOT BE COPIED, REPRODUCED OR USED IN WHOLE OR IN PART, AS THE BASIS FOR THE MANUFACTURE OR SALE OF ITEMS WITHOUT WRITTEN PERMISSION FROM APC.
THIS DRAWING IS BASED UPON LATEST AVAILABLE INFORMATION AND IS SUBJECT TO CHANGE WITHOUT NOTICE.



PROJECT

SUBMITTAL DRAWING

DRAWN	BALAMURUGAN	07/12/04
CHECKED	J.MATTILN	15/12/05
ENGINEER	N.SASHIDAJI.SUN	15/12/05

SCALE	
3rd-ANGLE PROJECTION	

TITLE

NETSHELTER VX 42U ENCLOSURE 600mm W x 1070 mm D BASE UNIT MECHANICAL DETAILS		
DWG NO	Sheet No.	REV.
AR2100BLK-MM	2 / 2	-